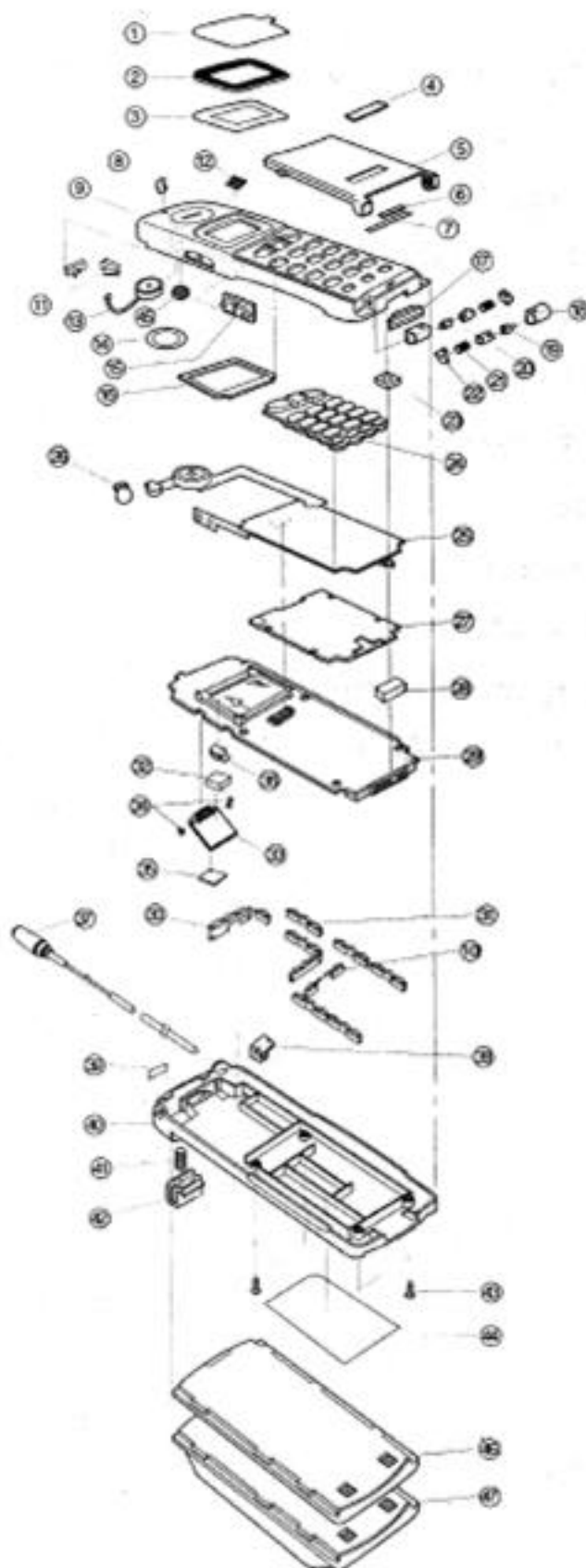


## 8. Exploded View and its Parts List

---

- 8-1 Cellular Phone Exploded View**
- 8-2 Cellular Phone Parts List**
- 8-3 Rapid Charger Exploded View**
- 8-4 Rapid Charger Parts List**
- 8-5 Hands-Free Kit Exploded View**
- 8-6 Hands-Free Kit Parts List**
- 8-7 Cradle Exploded View**
- 8-8 Cradle Parts List**
- 8-9 Main Packing Layout**
- 8-10 Main Packing Parts List**
- 8-11 Hands-Free Kit Packing Layout**
- 8-12 Hands-Free Kit Packing Parts List**

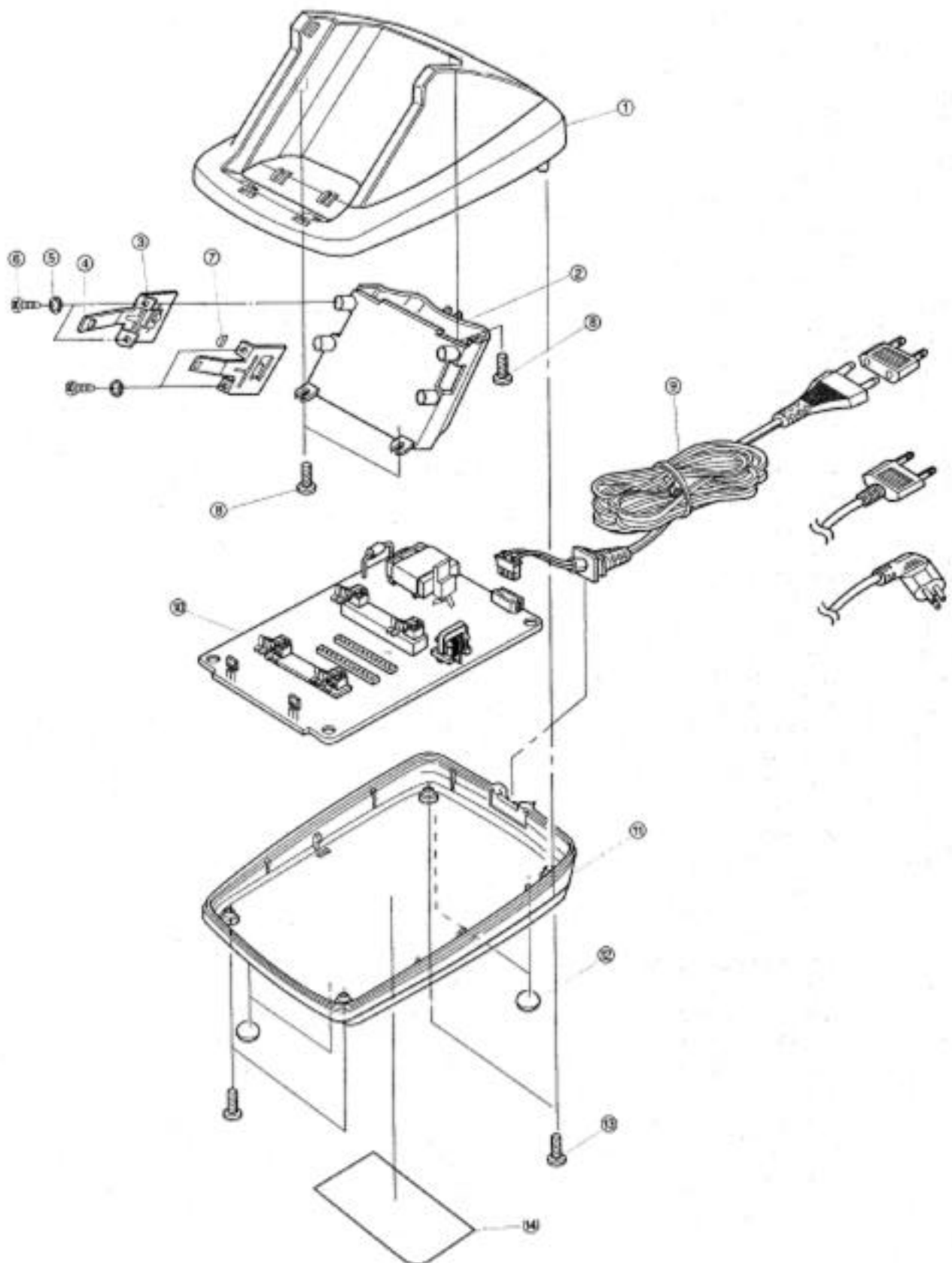
## 8-1 Cellular Phone Exploded View



## 8-2 Cellular Phone Parts List

NO	DESCRIPTION	SEC. CODE	Q'TY	REMARK
1	TAPE WINDOW BOHO	961 160150AA	1	
2	PMO-WINDOW LCD	GH72-40968A	1	
3	TAPE WINDOW FOAM	GH74-10544A	1	
4	LOGO BADGE	GA68-20508A	1	
5	PMO-FLIP COVER	GH72-40986A	1	
6	MAGNETIC FLIP	937 312008AA	1	
7	LABEL -FLIP	GA68-30545A	1	
8	PMO-REFLECTOR LED	GH72-40971A	1	
9	PMO-FRONT COVER	GH72-41409A	1	
10	STRIP FINGER (M)	GH71-10549A	2	
11	STRIP FINGER (S)	GH71-10550A	3	
12	BUZZER COVER	GH72-10503A	1	
13	VIBRATOR	3101-001003	1	
14	SPEAKER -TAPE	GH74-10546A	1	
15	KNOB -VOLUME	GH73-40534A	1	
16	SPONGE -LCD	GH74-10547A	1	
17	COVER CONNECTOR	GH73-40537A	1	
18	HINGE -HOUSING	GH72-40969A	2	
19	SHAFT -HINGE	GH72-40725A	2	
20	CAM -HINGE	GH72-40724A	2	
21	SPRING -HINGE	GH70-10524A	2	
22	HOUSING -CAP	GH72-40727A	2	
23	HOLDER -MIC	GH73-40536A	1	
24	KEY -PAD	GH73-40627A	1	
25	MAIN KEY PAD ASS'Y	GH59-10009A	1	
26	HOLDER -BUZZER	GH73-40568A	1	
27	SHIELD COVER-R/F	GH72-40970A	1	
28	SPONGE MIC	GH74-10526A	1	
29	MAIN PBA	GH92-00660A	1	
30	STRIP -FINGER	GH71-10551A	1	
31	STRIP -FINGER (L)	GH71-10548A	7	
32	TAPE-FOAM	GH74-10002A	1	
33	MEMORY PBA	GH92-01003A	1	
34	HOLDER PLATE	GH71-10009A	2	
35	SPONGE MEMORY	GH74-10554A	1	
36	CONTACT PLATE	GH71-10576A	1	
37	ANT, WHIP-HELICAL, 824-894M	GH42-10500A	1	
38	CONTACT BRACKET-ANT	GH71-10572A	1	
39	LABEL QUALCOMM	GH68-30799A	1	
40	PMO-REAR COVER	GH72-41349A	1	
41	SPRING LOCKER -MAIN	GH70-10516A	1	
42	LOCKER -MAIN	GH72-40715A	1	
43	MAS, BH, STAR, M2, L8, CBLK	6001-000101	4	
44	LABEL ID -MAIN	GH68-31033A	1	
45	CLOTH POLYESTER	0107-001004	1	
46	STANDARD BATT PACK	GH43-10104A	1	
47	LONG BATT PACK	GH43-10103A	1	

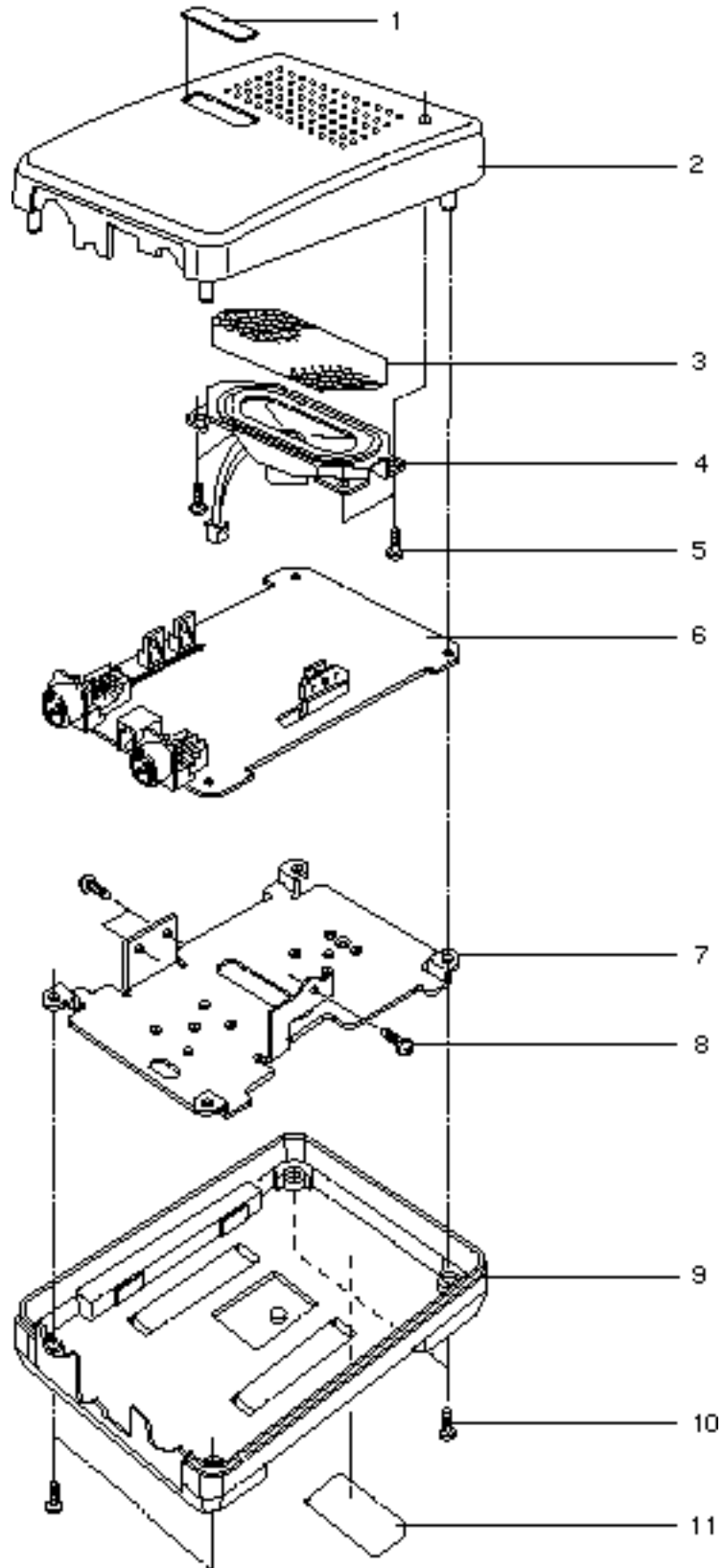
### 8-3 Rapid Charger Exploded View



## 8-4 Rapid Charger Parts List

NO	DESCRIPTION	SEC. CODE	Q'TY	REMARK
1	CASE, TOP		1	
2	HOUSING, BATTERY		1	
3	HOOK, PLATE (LARGE)		1	
4	HOOK (B)		2	
5	WASHER		4	
6	VH, M2.6, L6(2W), BLK		4	
7	HOOK (A)		2	
8	VH, M3, L8, BLK		3	
9	ASS'Y, AC POWER CORD		1	
10	ASS'Y, R/C BOARD		1	
11	CASE, BOTTOM		1	
12	BUMPON		4	
13	VH, M2.6, L12(2W), BLK		4	
14	LABEL, ID, R/C		1	

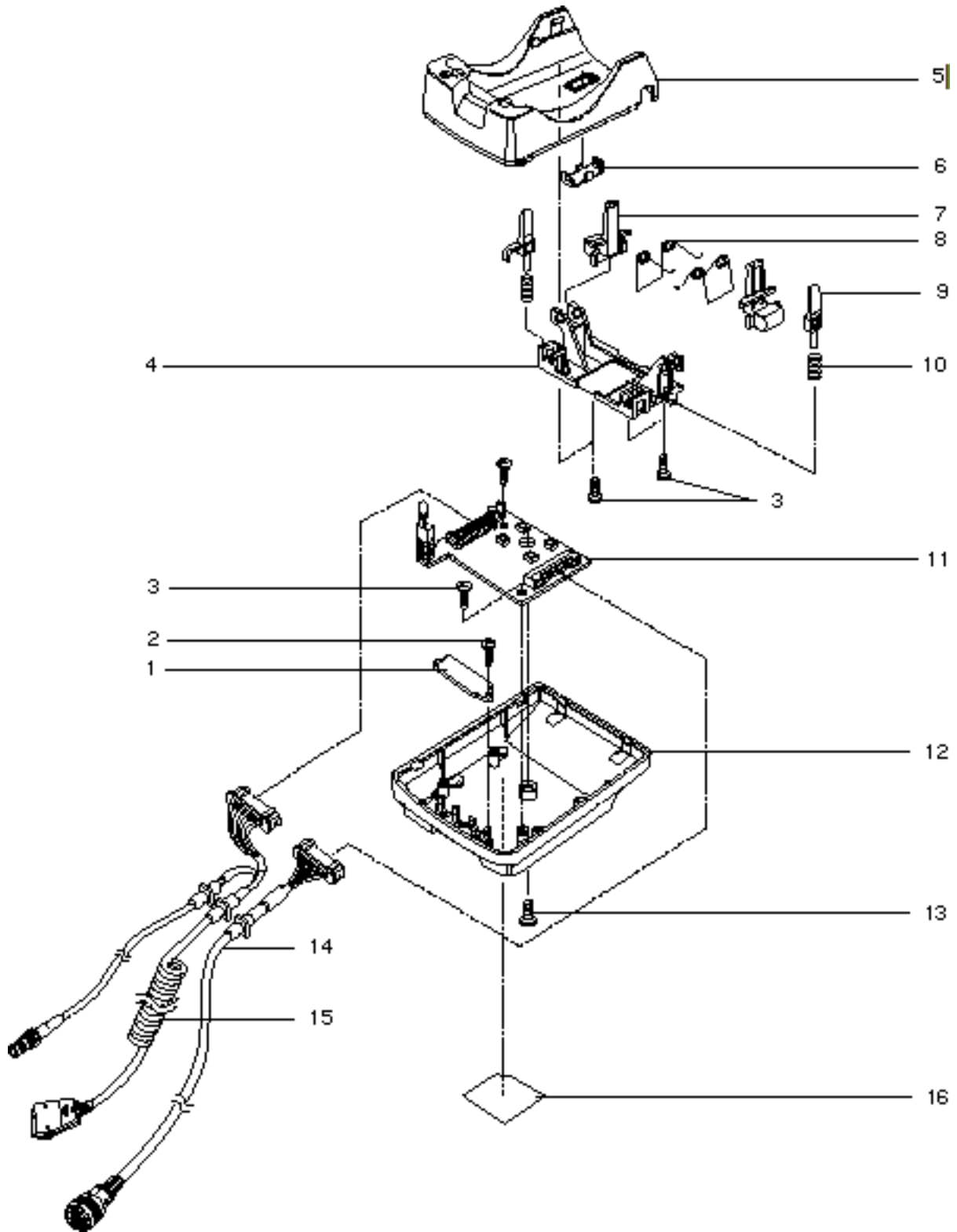
## 8-5 Hands-Free Kit Exploded View



## 8-6 Hands-Free Kit Parts List

NO	DESCRIPTION	SEC. CODE	Q'TY	REMARK
1	LABEL, LOGO, H/F	GA68-30642A	1	
2	HOUSING, UPPER, H/F	GH97-00693A	1	
3	FELT, SPEAKER, H/F	GH74-10521A	1	
4	AUDIO SPEAKER, C/D	3001-000186	1	
5	TAPTITE, B, BH, +, M3, L6	6003-000115	4	
6	PBA	GH41-1056AA(100)	1	
7	HEATSINK, H/F	GH71-10559A	1	
8	TAPTITE, B, BH, +, M2.6, L5	6003-000106	3	
9	HOUSING, LOWER, H/F	GH97-00694A	1	
10	TAPTITE, B, BH, +, M3, L12	6003-000161	4	
11	LABEL, ID, HFK	GH68-30841A	1	

## 8-7 Cradle Exploded View

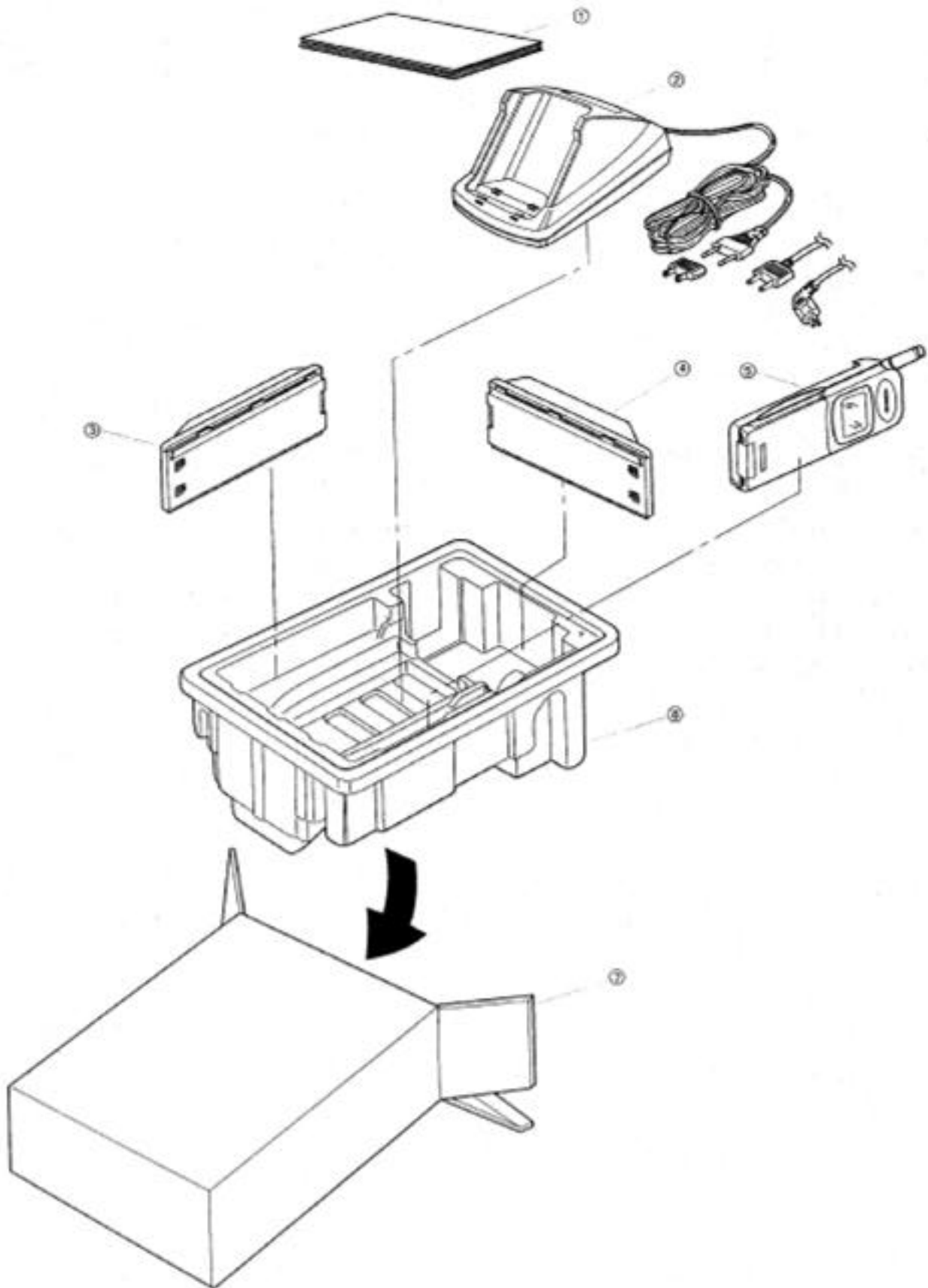




## 8-8 Cradle Parts List

NO	DESCRIPTION	SEC. CODE	Q'TY	REMARK
1	HOLDER, CRADLE	GH72-40622A	1	
2	TAPTITE, B, BH, +, M2, L6, C BLK	6002-000342	1	
3	TAPTITE, B, BH, +, M2.6, L6, C BLK	6003-000107	6	
4	FRAME	GH72-40741A	1	
5	HOUSING, UPPER	GH72-40739A	1	
6	SOCKET, PLATE	GH70-10526A	1	
7	LOCKER	GH72-40742A	2	
8	SPRING, TORTION	GH70-10527A	2	
9	EJECTOR	GH72-40743A	1	
10	SPRING, EJECTOR	GH70-10520A	2	
11	PBA, CRADLE	GH41-10573A	1	
12	HOUSING, LOWER	GH72-40740A	1	
13	MAS, B, BH, +, M3, L8	6001-000133	1	
14	DATA CABLE	GH81-10504A	1	
15	CURL CORD	GH39-60506A	1	
16	LABEL, ID	GH68-30832A	1	

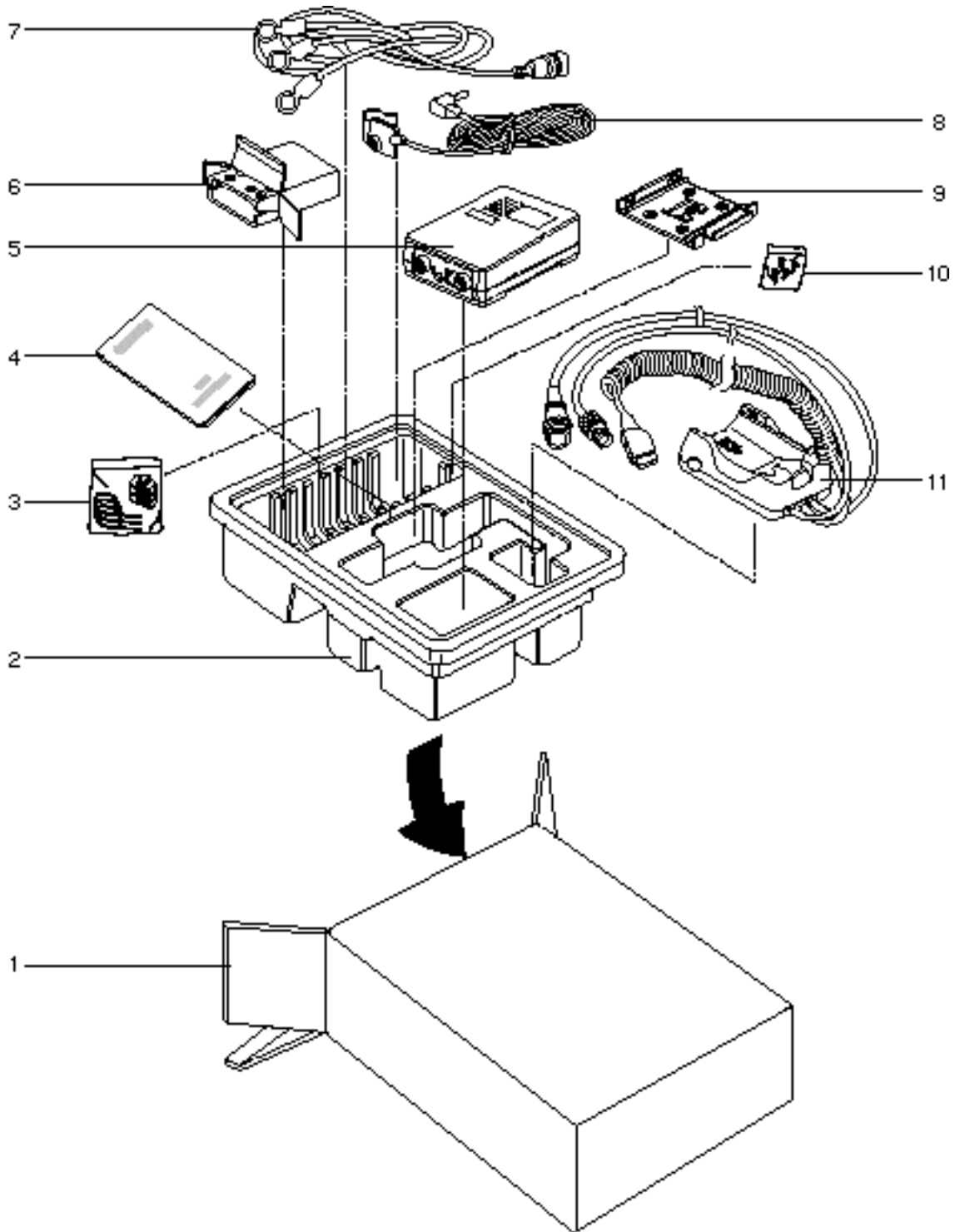
## 8-9 Main Packing Layout



## 8-10 Main Packing Parts List

NO	DESCRIPTION	SEC. CODE	Q'TY	REMARK
1	USERS MANUAL		1	
2	RAPID CHARGER	GH44-40034A	1	
3	STANDARD BATT PACK	GH43-10104A	1	
4	LONG BATT PACK	GH43-10103A	1	
5	HANDSET	GH90-01223A	1	
6	CUSHION CASE	GH69-20638A	1	
7	GIFT BOX-MAIN	GH69-11090A	1	

## 8-11 Hands-Free Kit Packing Layout



## 8-12 Hands-Free Kit Packing Parts List

NO	DESCRIPTION	SEC. CODE	Q'TY	REMARK
1	BOX, GIFT	GH69-10842A	1	
2	CUSHION, BASE	GH69-20550A	1	
3	ASS'Y, CABLE TIE		1	
4	USER'S MANUAL, H/F	GH68-60560A	1	
5	ASS'Y, HANDS-FREE KIT	GH90-00577A	1	
6	CLAMSHELL, MOUNT		1	
7	POWER CABLE	GH39-10501A	1	
8	ASS'Y, HANDS-FREE MICROPHONE		1	
9	BRACKET, MOUNTING	GH72-40628A	1	
10	ASS'Y, SCREW		1	
11	ASS'Y, CRADLE	GH90-00578A	1	

# MEMO